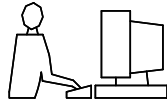


THIS IS A C.A.D. GENERATED DRAWING
DO NOT MAKE MANUAL REVISIONS TO MASTER.

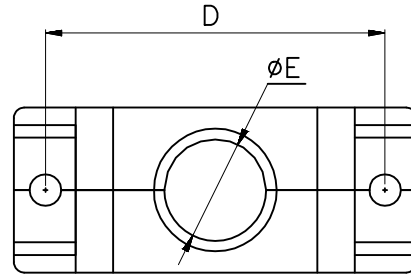


* UNLESS OTHERWISE SPECIFIED TOLERANCES
ON DECIMAL IS: ANGLE ±5°
UNIT: MM

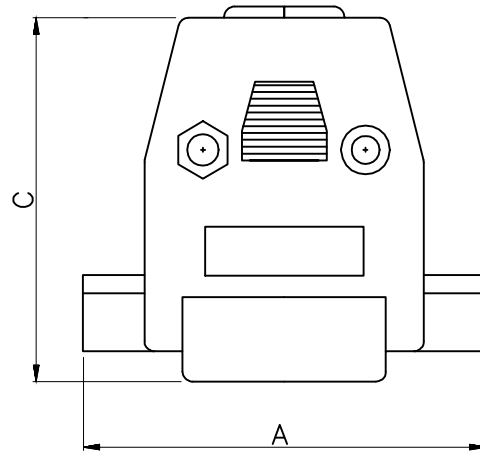
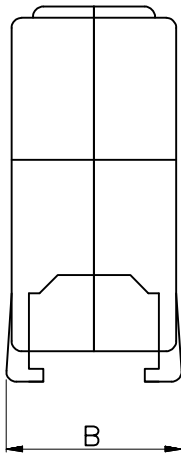
ISSUE NUMBER
ORIGINAL ①
9PIN NEW MOLD
PART,
UPDATE DIM ⑤

BACKSHELL KIT INCLUDES:

- (2)BACKSHELL HALVES
- (2)HOUSING SCREWS
- (2)MATING SCREWS
- (2)CRIMP SCREWS
- (2)NUT
- (2)CRIMP
- (2)WASHER



DIMENSIONS(mm/in)					
SIZE	A ± 0.3 ± 0.012	B ± 0.3 ± 0.012	C ± 0.3 ± 0.012	D ± 0.3 ± 0.012	E ± 0.3 ± 0.012
9	31.2	16.5	39.6	25.0	7.3
	1.228	0.650	1.559	0.984	0.287
15	39.6	17.3	35.8	33.3	10.0
	1.559	0.681	1.410	1.311	0.394
25	54.2	16.8	42.0	47.1	11.0
	2.134	0.661	1.654	1.854	0.433
37	69.0	20.0	51.0	63.5	13.8
	2.717	0.788	2.008	2.500	0.543



ORDERING INFORMATION: SHORT JACKSCREWS

SIZE	P/N - KITTED	PRODUCT CODE
9-WAY	2360-0102-01	MHCCOV 9-SC-BK
15-WAY	2360-0102-02	MHCCOV15-SC-BK
25-WAY	2360-0102-03	MHCCOV25-SC-BK
37-WAY	2360-0102-04	MHCCOV37-SC-BK

ORDERING INFORMATION: SHORT JACKSCREWS

SIZE	P/N - KITTED	PRODUCT CODE
9-WAY	2360-0102-11	MHCCOV 9-SC-LG
15-WAY	2360-0102-12	MHCCOV15-SC-LG
25-WAY	2360-0102-13	MHCCOV25-SC-LG
37-WAY	2360-0102-14	MHCCOV37-SC-LG

INSULATOR: ABS UL94HB
SCREW: STEEL, NICKEL PLATED
NUT: STEEL, NICKEL PLATED
CRIMP: STEEL, NICKEL PLATED
WASHER: STEEL, NICKEL PLATED
INSULATOR COLOR: BK=BLACK, LG=GREY

THESE DRAWINGS AND SPECIFICATIONS ARE THE PROPERTY OF MH CONNECTORS LTD. AND SHALL NOT BE REPRODUCED, COPIED OR USED AS THE BASIS FOR THE MANUFACTURE OR SALE OF APPARATUS WITHOUT WRITTEN PERMISSION.

DRAWN: JOHNNY
DATE: 05-29-20

APPROVED: DAMIEN
DATE: 05-29-20

SCALE: SHEET OF 1 OF 1
REV: 5.0



THIS SERIES FULLY CONFORMS TO THE EUROPEAN UNION DIRECTIVES 2002/95/EC AND 2002/96/EC FOR RoHS COMPLIANCY.



MH CONNECTORS LTD.

DRAWING No: MHCCOVXXSC-BK/LG